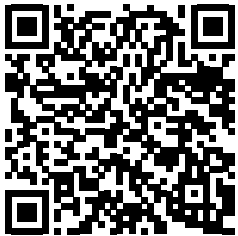




siegmund® workstation



Online



Bernd Siegmund GmbH
Landsberger Straße 180
86507 Oberottmarshausen
Tel. 0049 (0) 8203 / 96 07-0
Fax 0049 (0) 8203 /96 07-33
info@siegmund.com
www.siegmund.com

The screenshot shows the Siegmund website interface. At the top, there is a navigation bar with the Siegmund logo and several menu items: System 28 Welding Tables, System 22 Welding Tables, System 16 Welding Tables, Positioner Manipulators, Rail System Rail System, and Platform System Platform System. Below the navigation bar, there is a search bar and a 'GO' button. The main content area is titled 'Assembly instructions / User manual'. In the center, there is a 3D rendering of a black metal work station with a blue perforated panel. Below the rendering, there is a red 'Attention!' warning: 'This video does not replace the written installation instructions / user manual. Please read them before mounting / usage.' At the bottom of the screenshot, there is a footer with the company name, address, contact information, and a copyright notice: '© Bernd Siegmund GmbH · Achtenstrasse 29 · 86845 Grossaitingen · Telefon: +49 (0) 82 03 / 96 07-0 · Fax: +49 (0) 82 03 / 96 07-33 · E-Mail: info@siegmund.com · www.siegmund.com'. There are also links for 'Imprint', 'Privacy Policy', and 'GTC'.

Siegmund Workstation

Montageanleitung · Assembly instructions · Инструкция за монтаж · Instrução de montagem · Montážní instrukce · Montagevejledning · Instrucciones de montaje · Asennusohjeet · Instructions d'assemblage · Upute za montažu · Szerelési útmutató · Istruzioni per montaggio · Montagehandleiding · Monteringsanvisning · Instrukcja montażu · Instruções de montagem · Instructiuni de montaj · Uputstvo za montažu · Инструкция по сборке · Monteringsanvisningar · Navodilo za sestavljanje · Návod na montáž · Montaj talimatları · 安装指南 · 組み立て方法

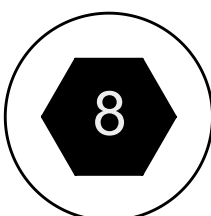
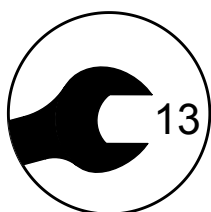
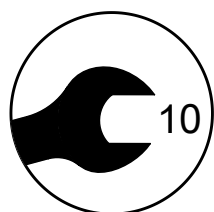
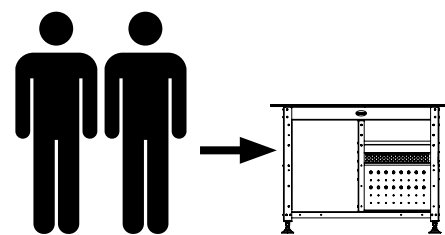


DE	Handfest - Bitte nicht festziehen.
BG	Ръчно завинтване - моля, не затягайте с помощен инструмент.
CZ	Ručně zašroubováno - prosím nedotahujte.
DK	Håndskruet - stram venligst ikke.
EE	Käsitsi kinnitav - ärge kinnitage jõuga.
EN	Hand-screwed - please do not tighten.
ES	Enroscado a mano - no apretar.
FI	Käsikäyttö - ei saa kiristää työkalulla.
FR	Serré à la main - Ne pas serrer.
GR	Βιδώστε με το χέρι - παρακαλούμε μην σφίγγετε.
HR	Ručno zategnuti - ne prejako.
HU	Kézi rögzítés - ne húzza meg erősen.
IT	Avvitare a mano - non serrare forte.
LT	Rankinis prisukamas - prašome neužveržkite.
NL	Aandraaien met de hand - niet te vast aandraaien.
NO	Hånd skrudd, ikke stram til.
PL	Przykręcić ręcznie - proszę nie dokręcać.
PT	Aperto manual - por favor não force o aperto.
RO	Înșurubat manual - vă rugăm să nu strângeți.
RS	Ručno zavrnuti - molimo vas da ne pretežete.
RU	Завинчивать вручную - не затягивать.
SE	Handskruvad - spänn inte åt.
SI	Ročno priviti - prosim ne zategujte.
SK	Ručné naskrutkovanie - prosím, neufahujte silou.
TR	El vidalı - lütfen sıkmayın.


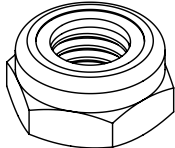
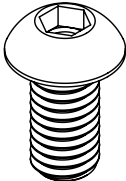


DE	Mit Schraubenschlüssel festziehen.
BG	Затегнете с гаечен ключ.
CZ	Utáhněte pomocí klíče.
DK	Stram med nøgle.
EE	Pingutatav võtmeaga.
EN	Tighten by wrench.
ES	Apretado con llave.
FI	Kiristä jakoavaimella.
FR	Serrer avec une clé.
GR	Σφίξιμο με κλειδί.
HR	Zategnuti ključem.
HU	Kulccsal feszítse meg.
IT	Serrare con chiave.
LT	Priveržkite veržliarakčiu.
NL	Aandraaien met een sleutel.
NO	Stram til med fastnøkkel.
PL	Przykręcić kluczem.
PT	Aperto com chave.
RO	Strângeți cu o cheie.
RS	Zategnuti ključem.
RU	Затянуть ключом.
SE	Spänn åt med skiftnyckel.
SI	Priviti s ključem.
SK	Utiahnite kľúčom.
TR	Anahtarla sıkmak.

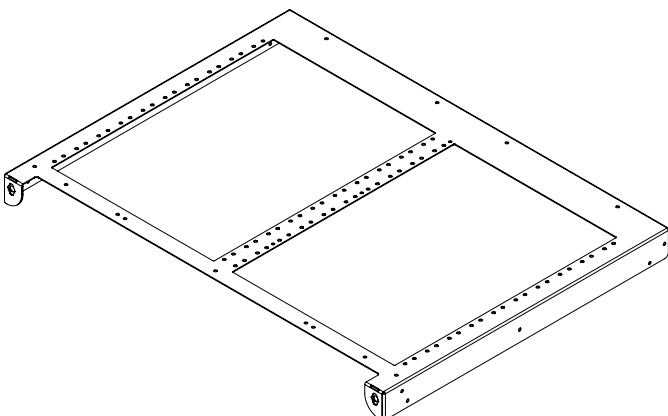
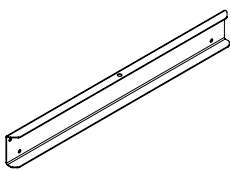
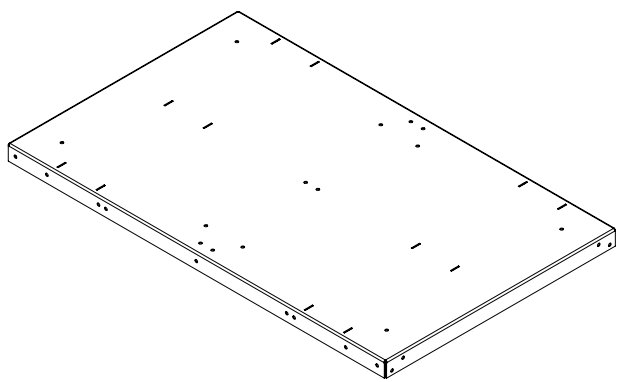
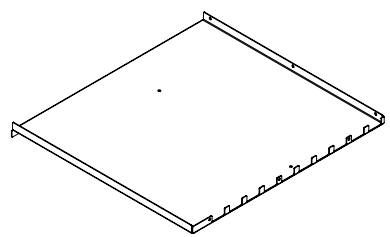
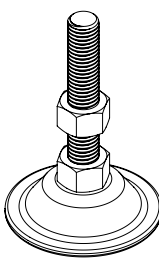
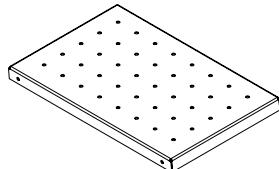

Tools:

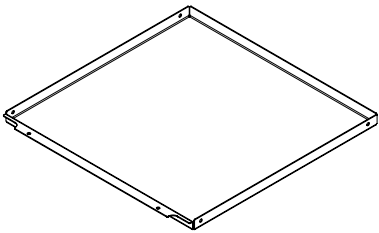
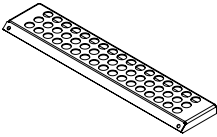
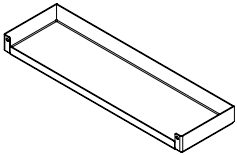
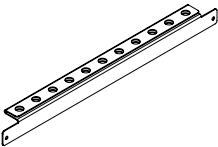
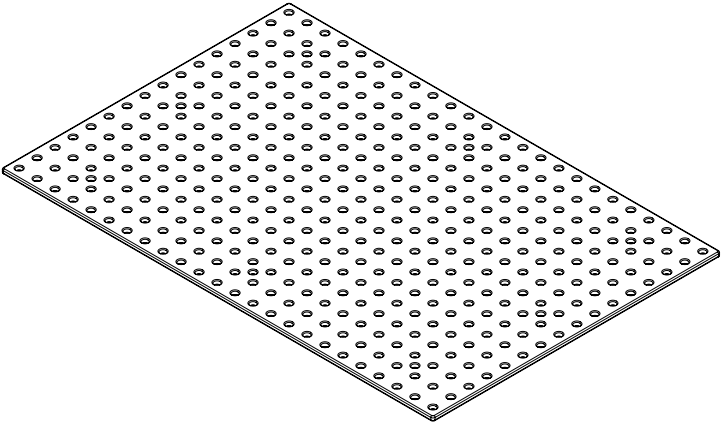
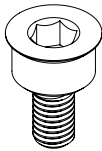
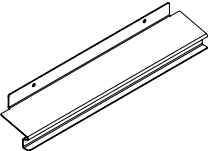
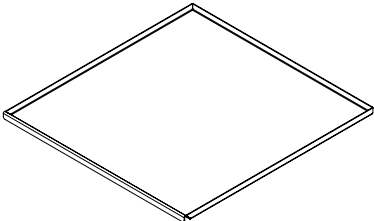


Screws:

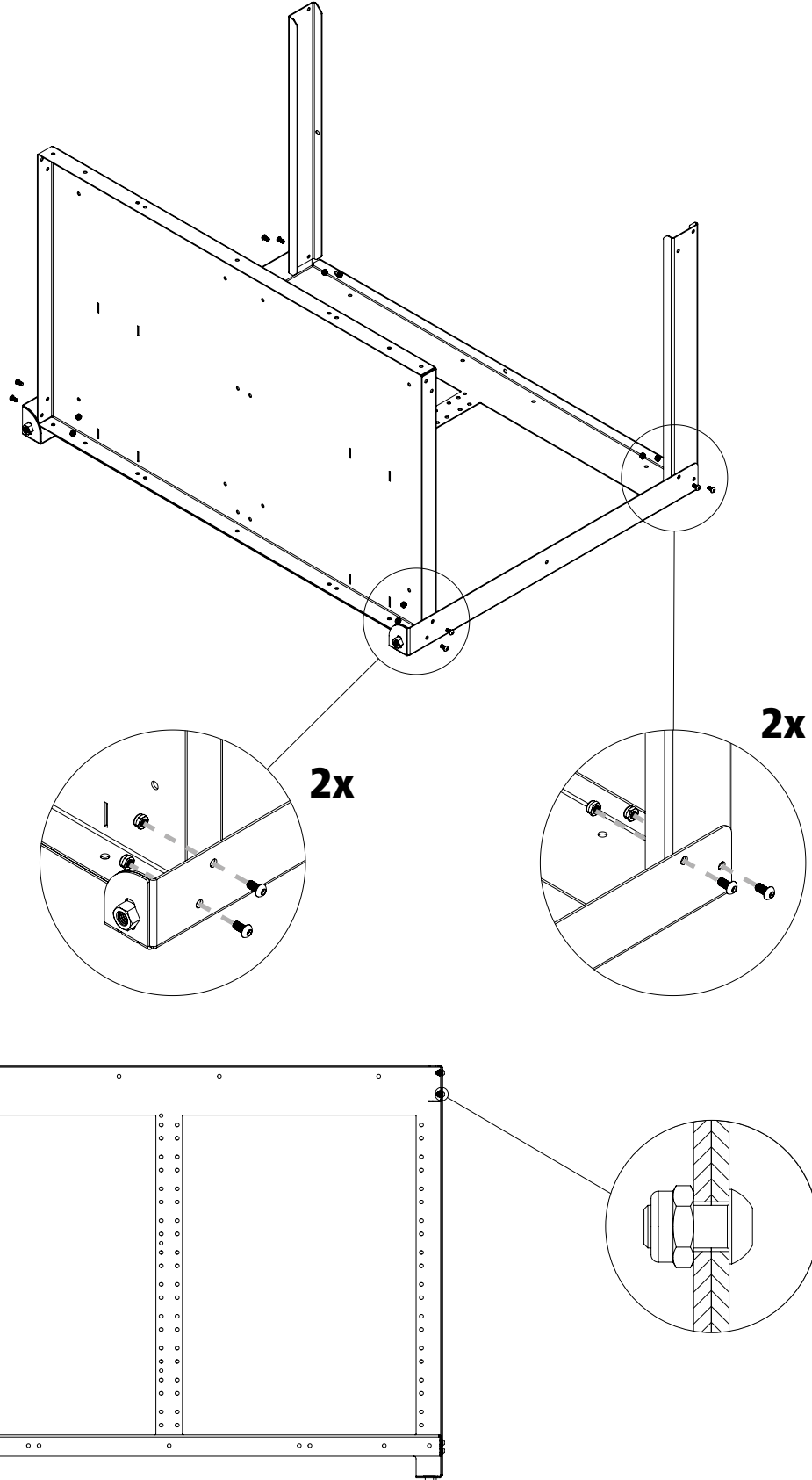
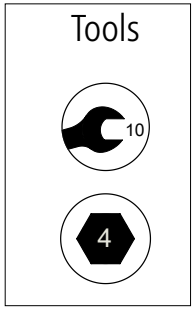
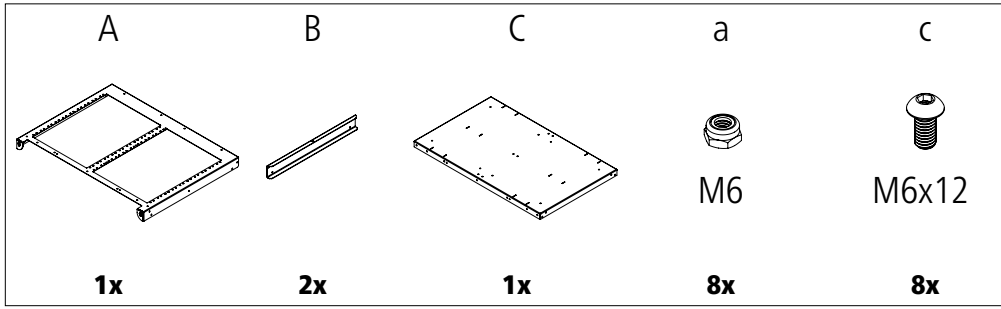
<p>a (No. 00002499)</p>  <p>M6</p> <p>56x</p>	<p>b (No. 00001069)</p>  <p>M8</p> <p>8x</p>	
<p>c (No. 00002412)</p>  <p>M6x12 - ISO 7380</p> <p>72x</p>		

Parts:

<p>A</p>  <p>2x</p>	<p>B</p>  <p>2x</p>	
<p>C</p>  <p>1x</p>	<p>D</p>  <p>1x</p>	
<p>E (No. 00002546)</p>  <p>4x</p>	<p>F</p>  <p>1x</p>	<p>G (No. 00002437)</p>  <p>16x</p>

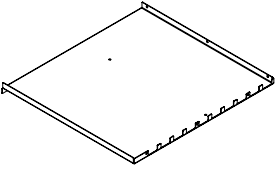


<p>H</p>  <p>1x</p>	<p>I</p>  <p>1x</p>	<p>J</p>  <p>1x</p>
<p>K</p>  <p>1x</p>	<p>L</p>  <p>1x</p>	
<p>M (No. 00002594 / 00002656)</p>  <p>8x</p>	<p>N</p>  <p>4x</p>	<p>O</p>  <p>2x</p>



1.

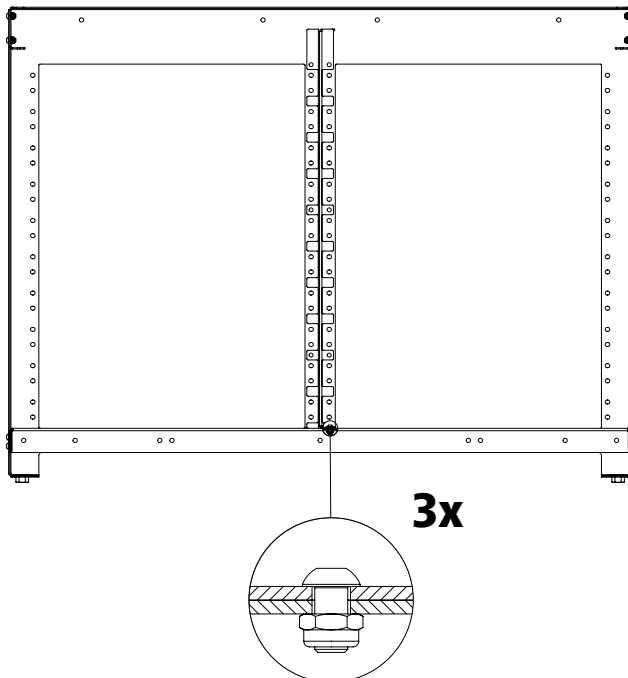
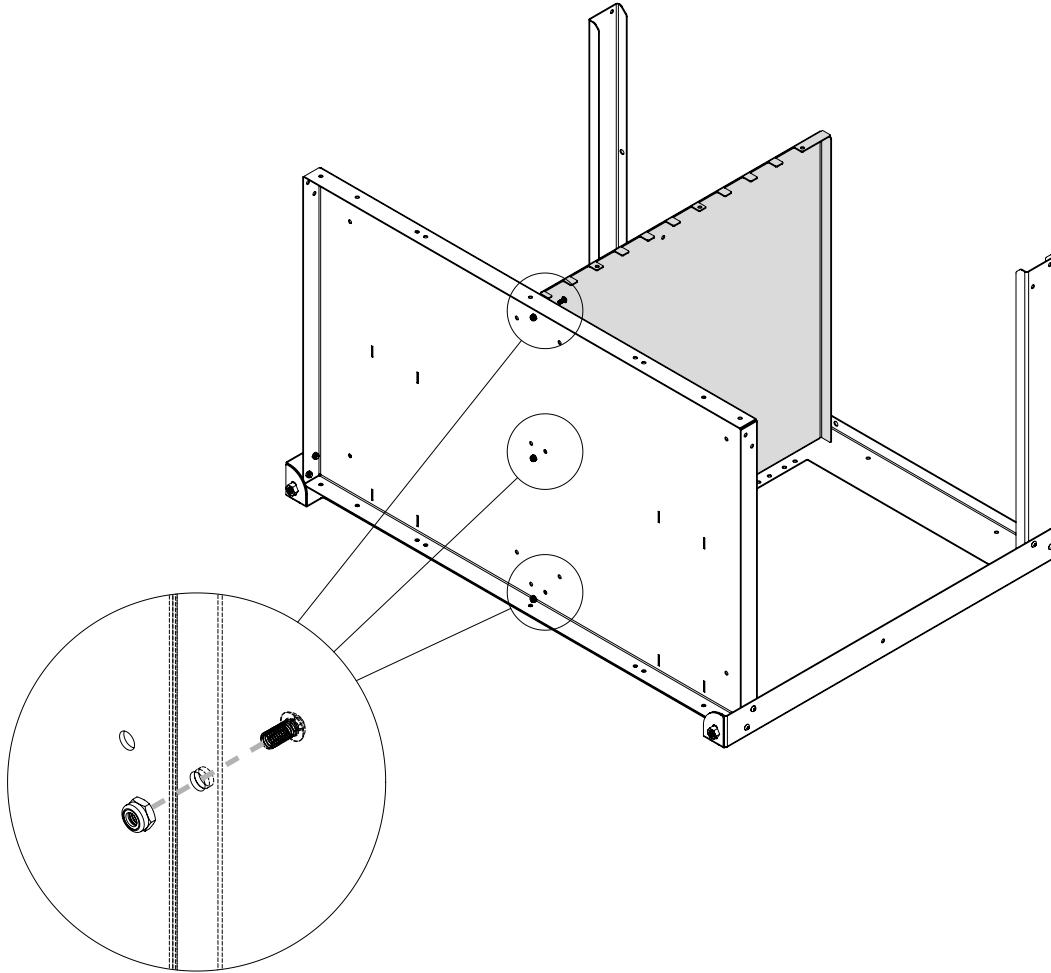


2.



D  1x	a  M6 3x	c  M6x12 3x
---	---	--

Tools  

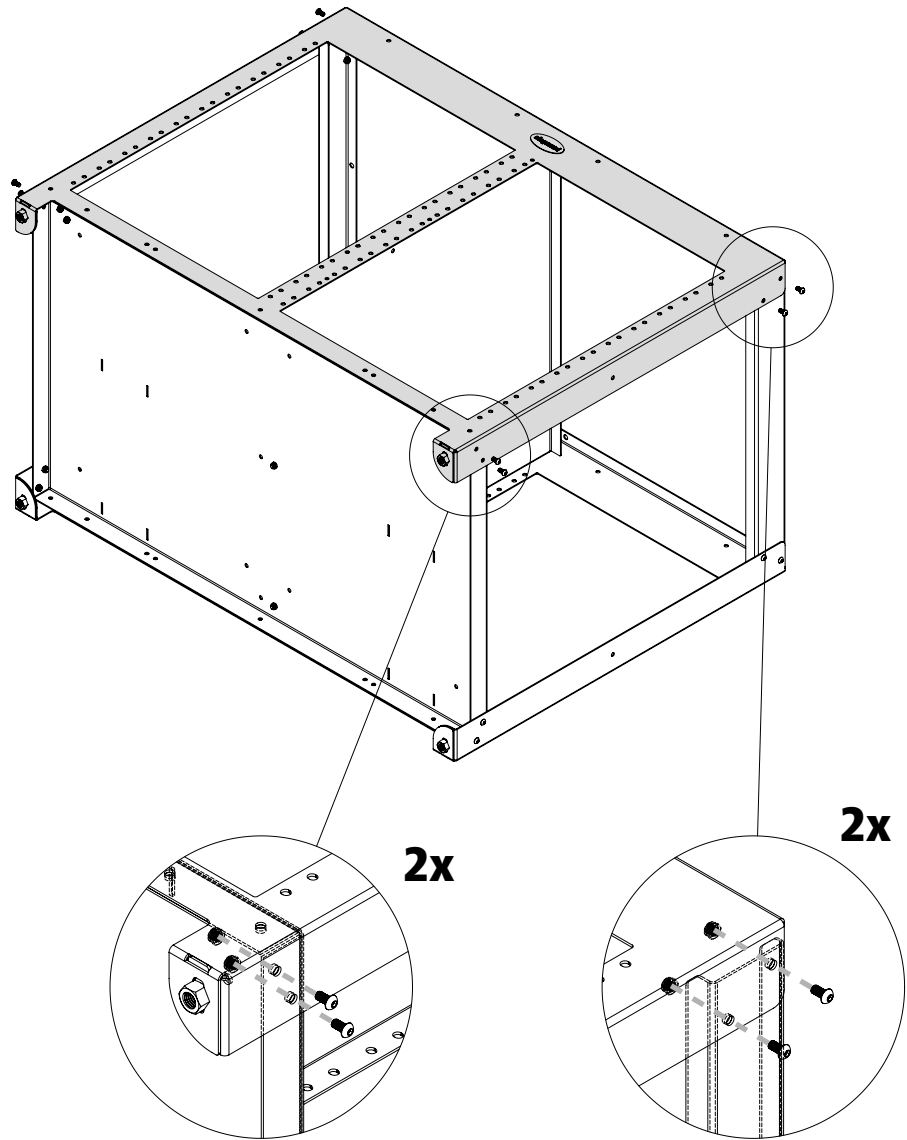


3.

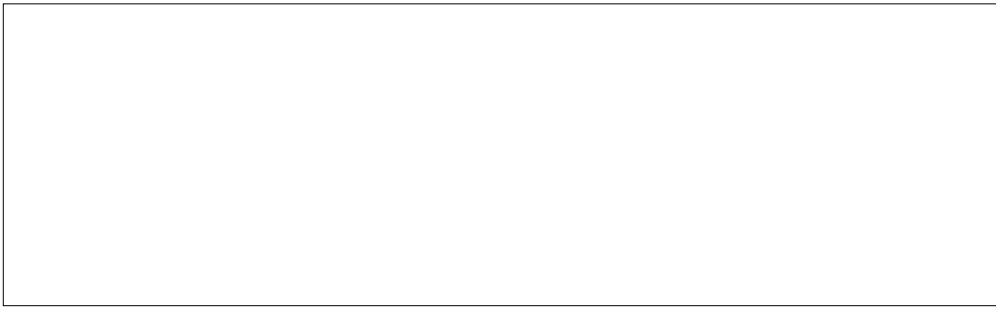


A	a	c
1x	M6 8x	M6x12 8x

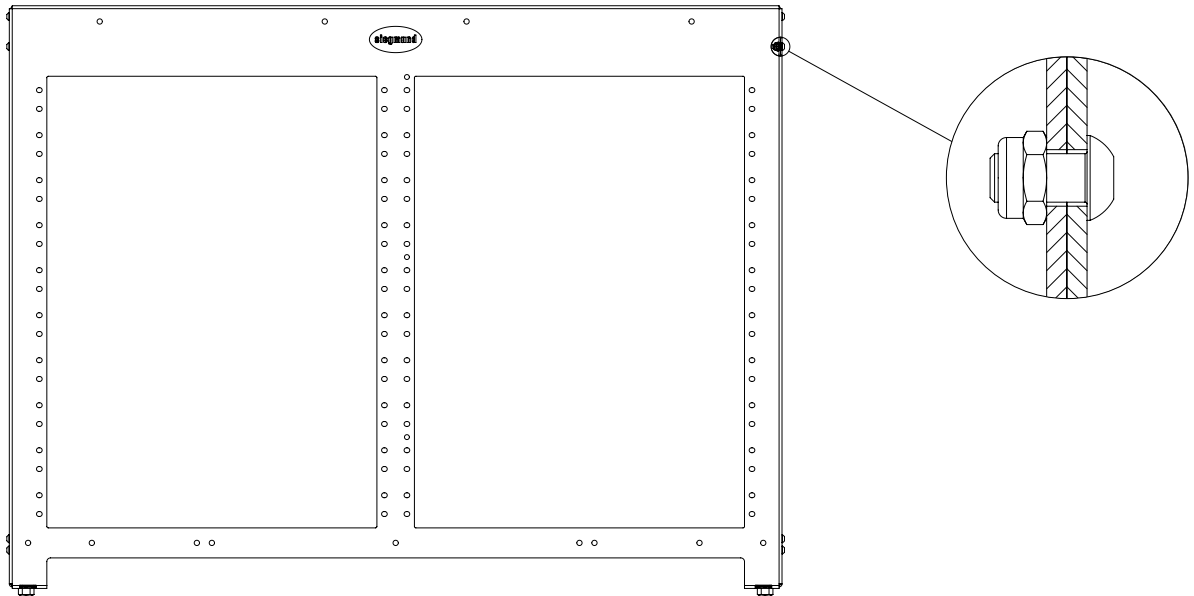
Tools



3.





Tools

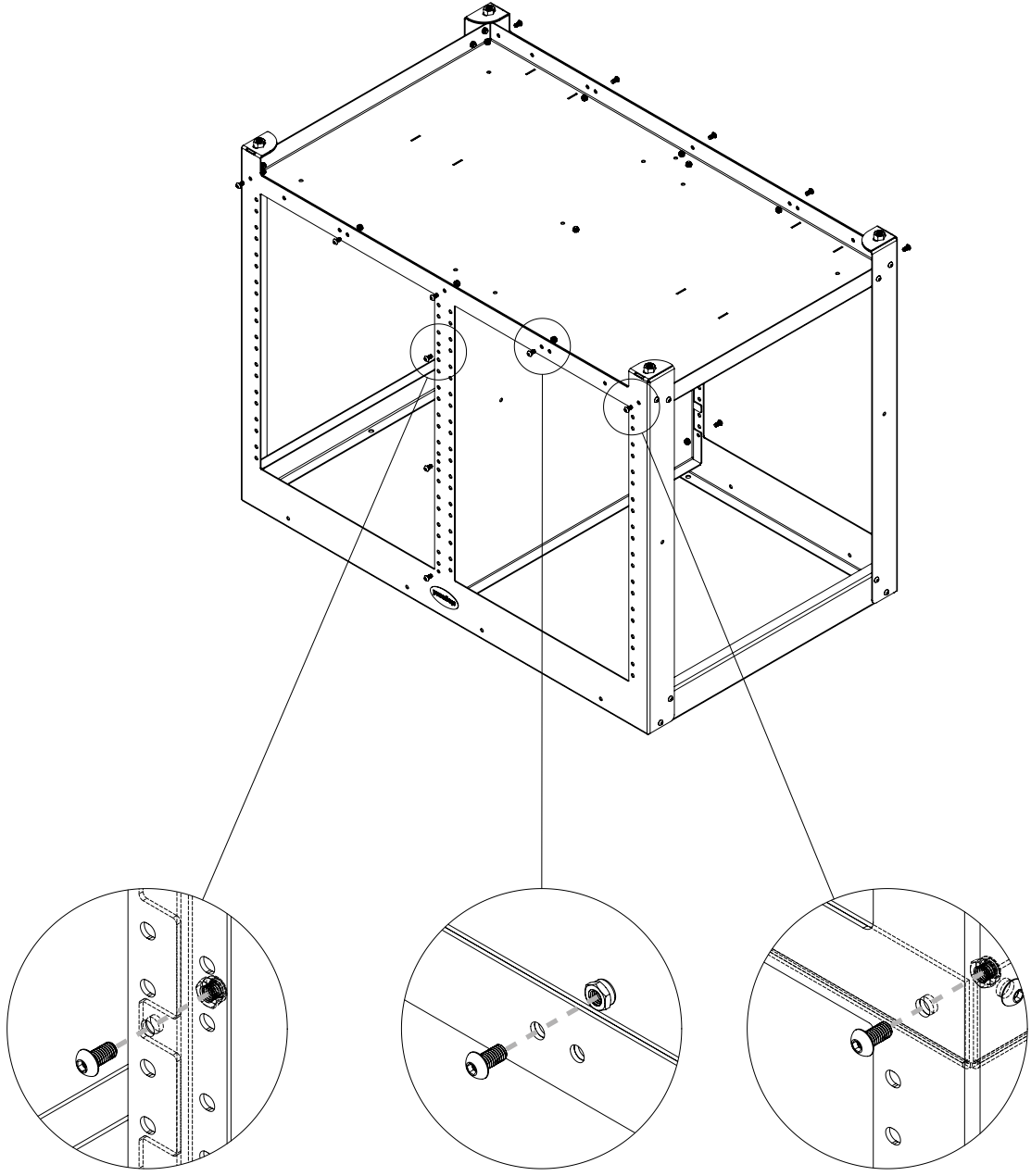


4.

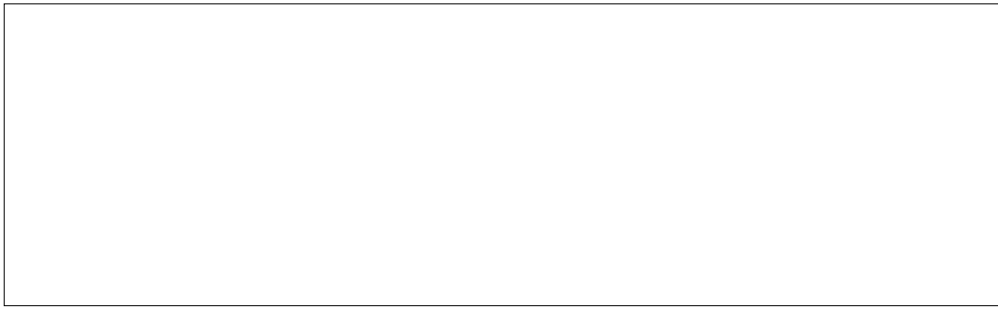


a	c
	
M6	M6x12
16x	16x

Tools





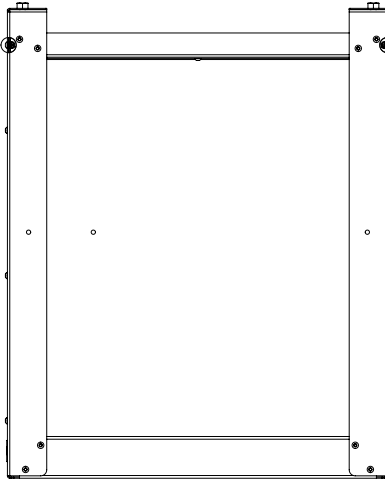
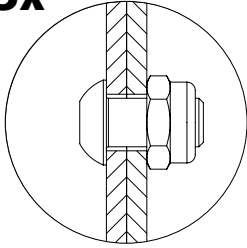
4.



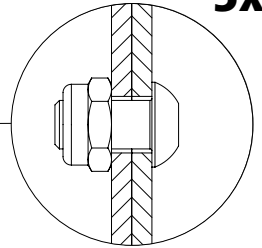
Tools



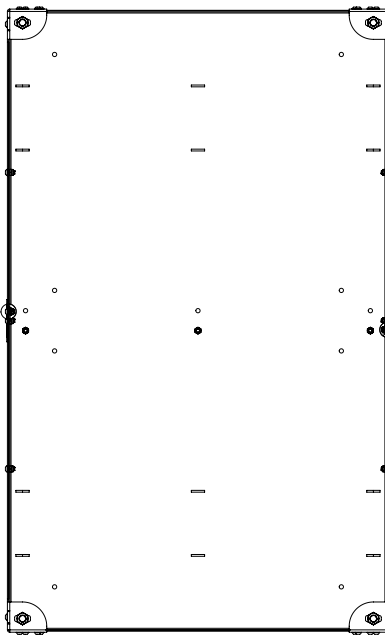
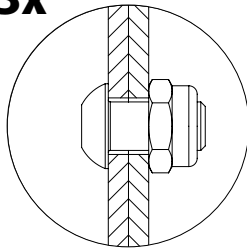
5x



5x

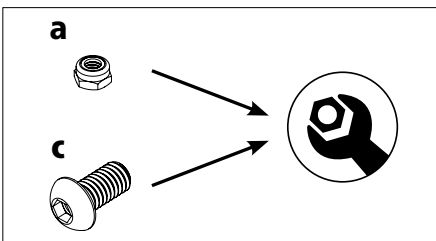


3x

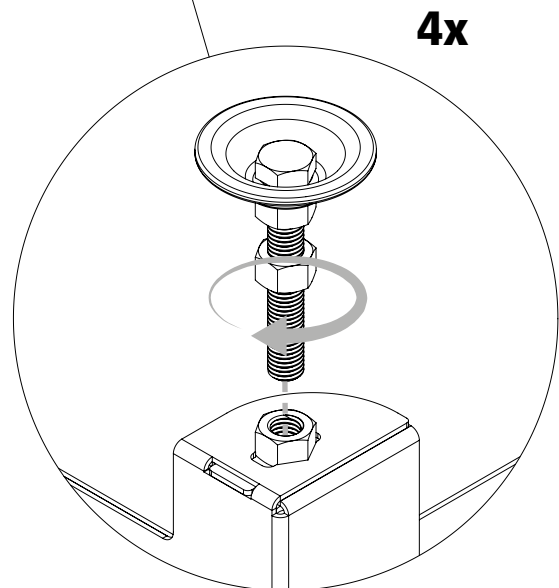
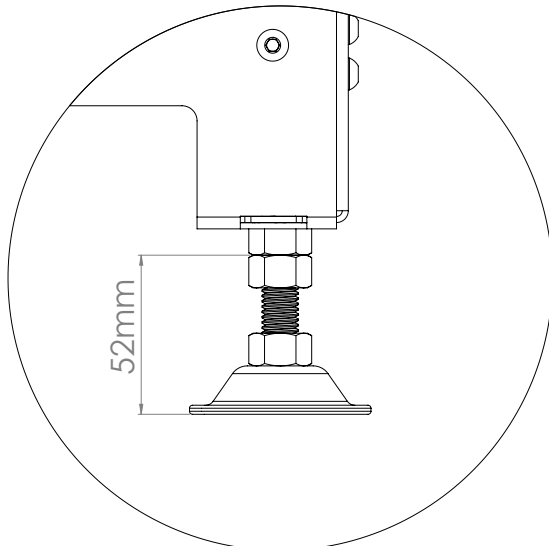
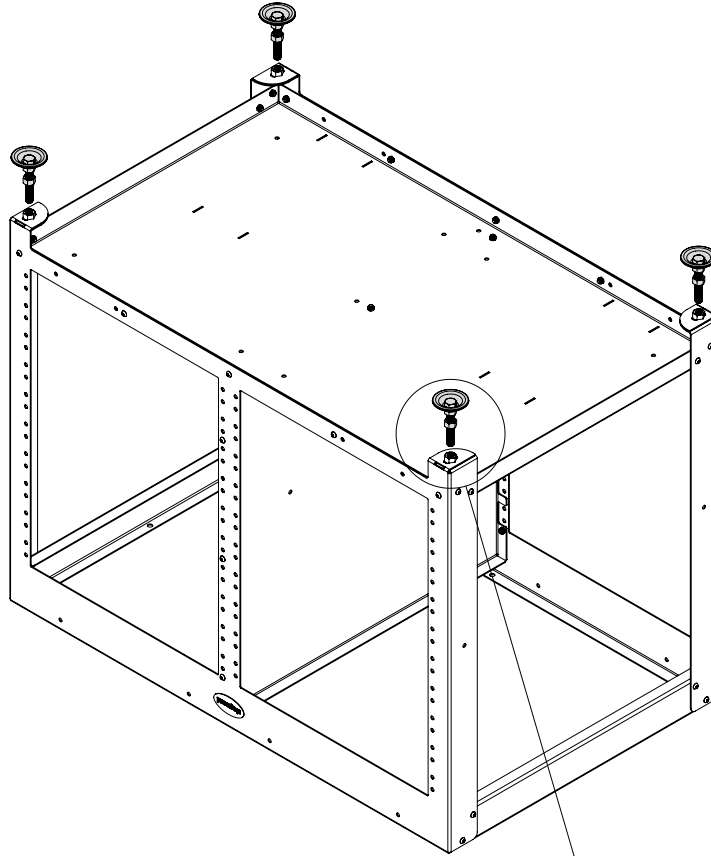
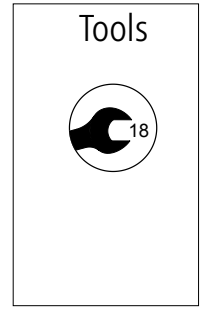
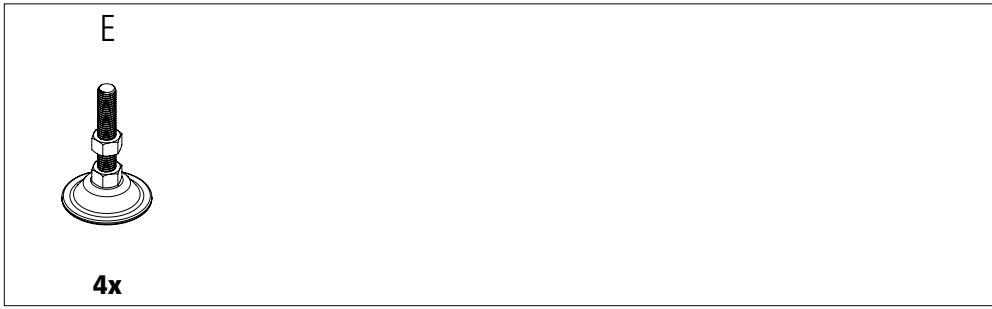


3x

1 - 3

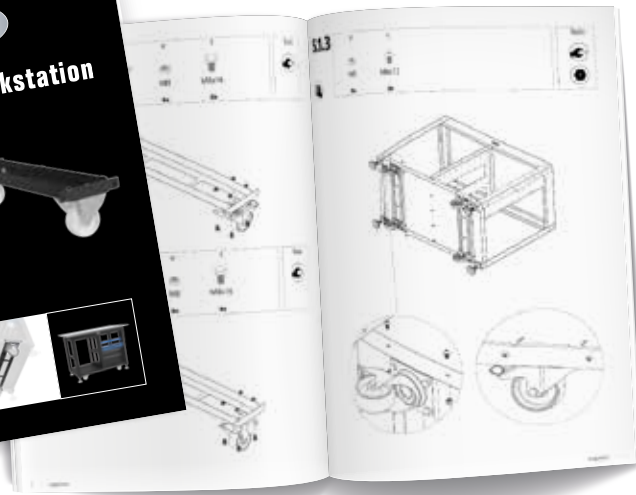
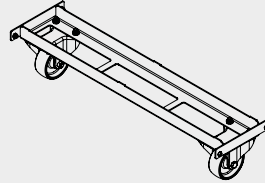
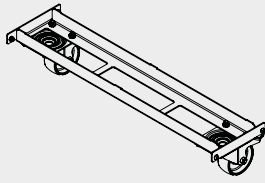


5.



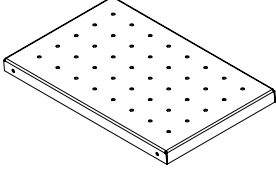


5.1

004100

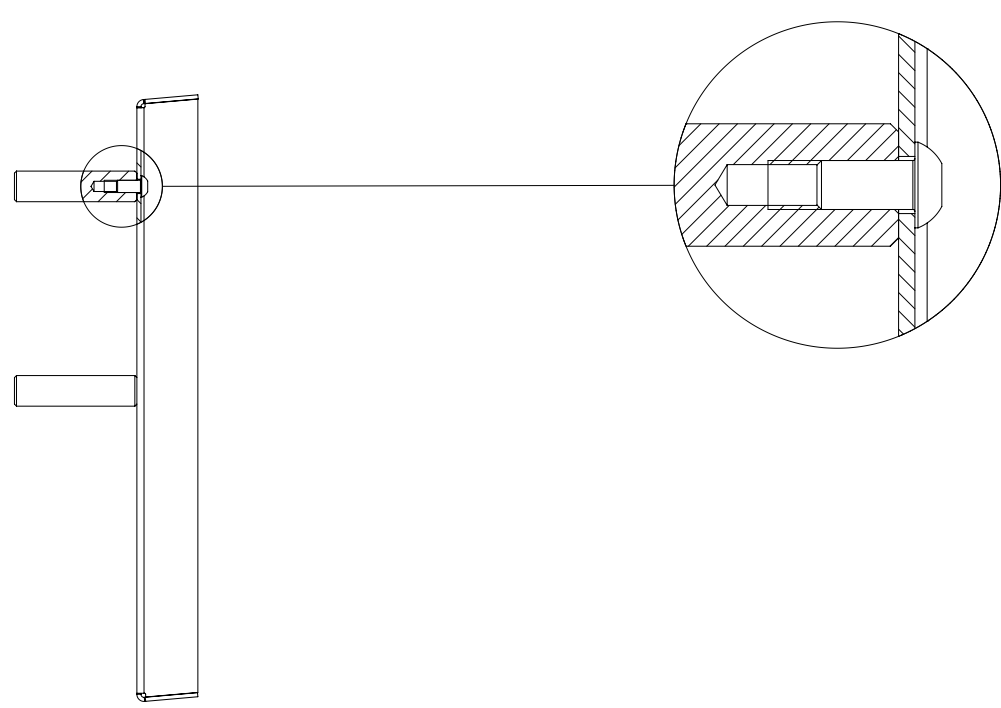
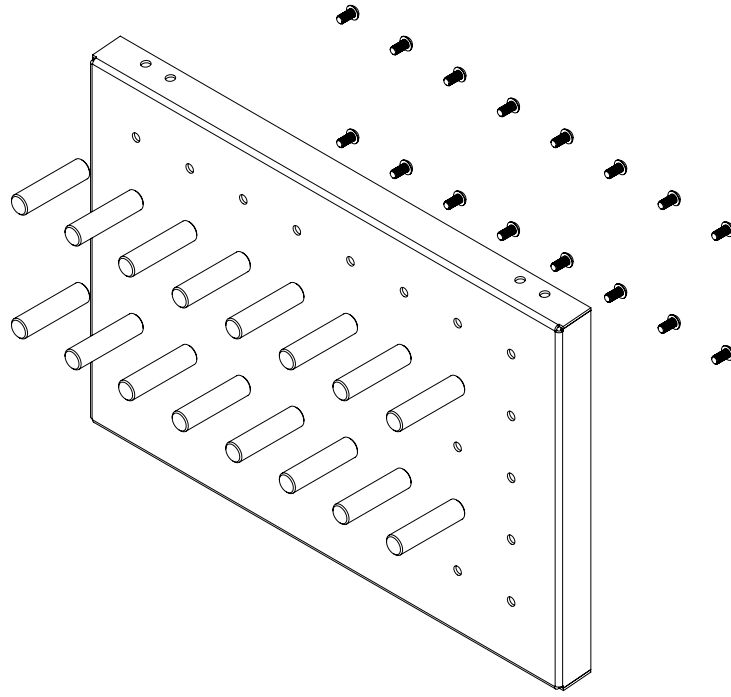



6.1



<p>F</p>  <p>1x</p>	<p>G</p>  <p>16x</p>	<p>c</p>  <p>M6x12</p> <p>16x</p>
--	---	--



Tools

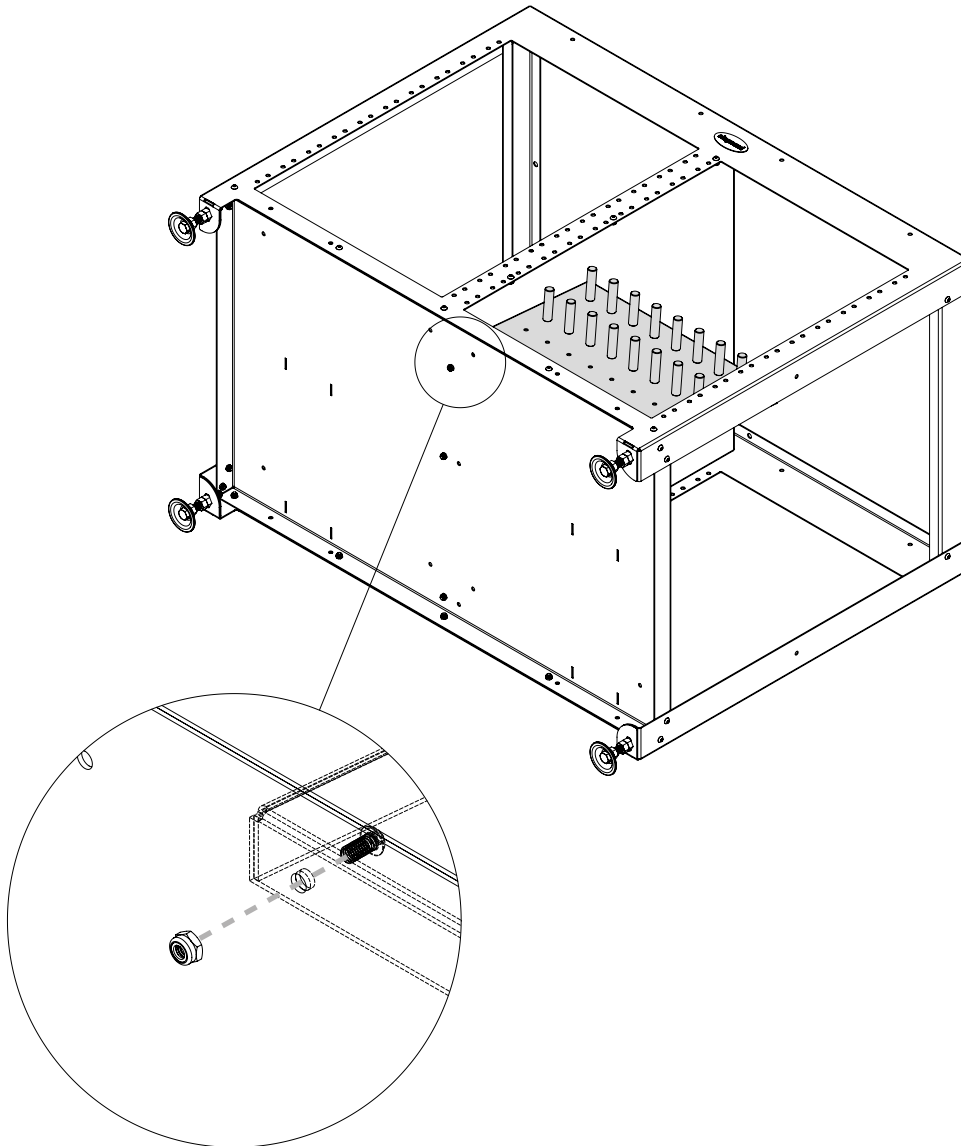


6.2

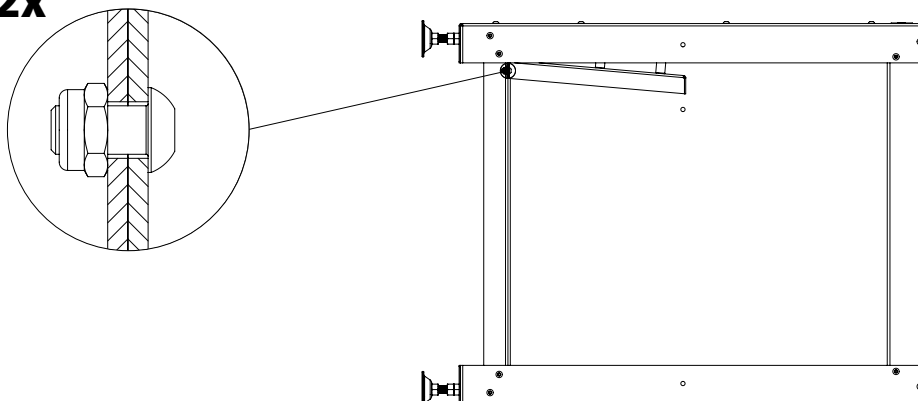


a	c
	
M6	M6x12
2x	2x

Tools



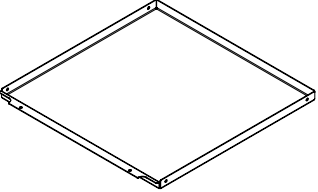




2x





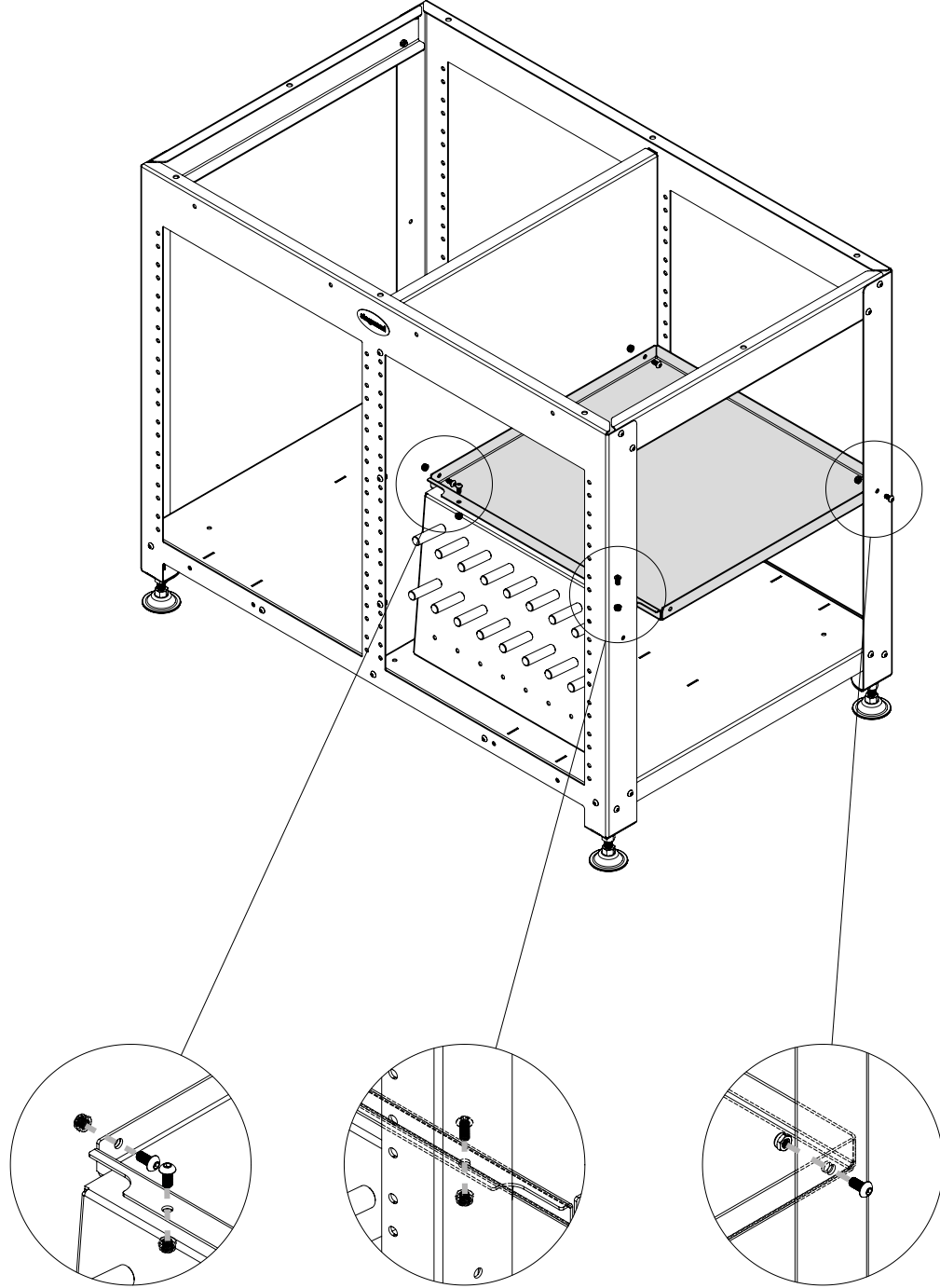
7.



H  1x	a  M6 5x	c  M6x12 5x
--	--	---

Tools

- 
- 



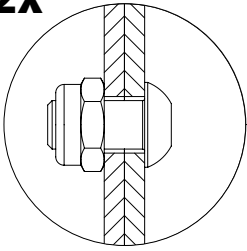
7.



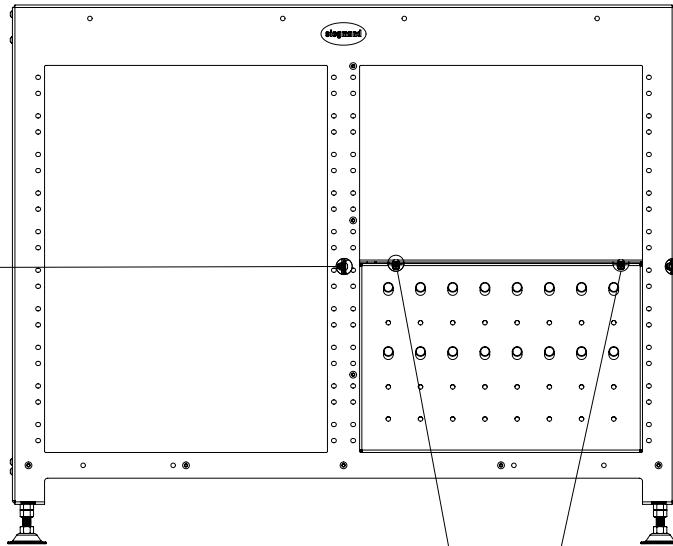
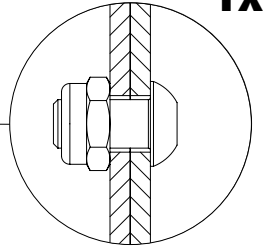
Tools



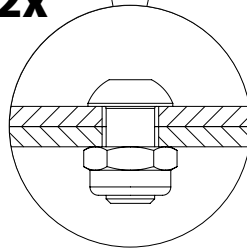
2x



1x



2x



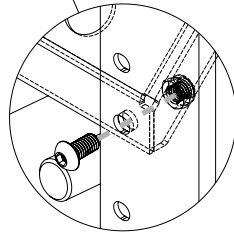
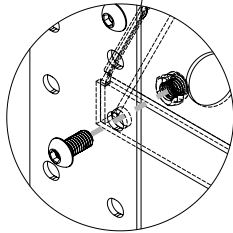
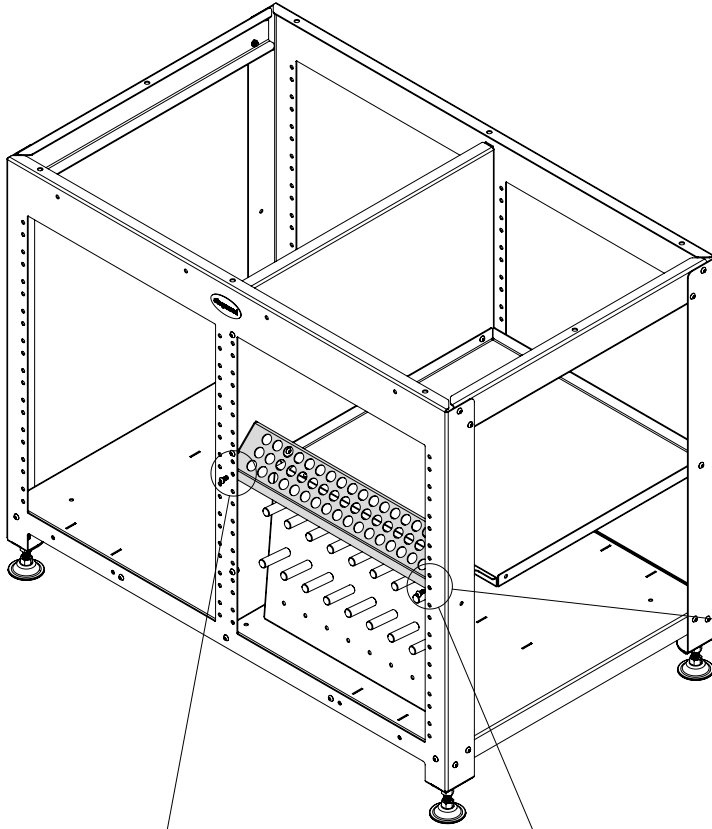
8.



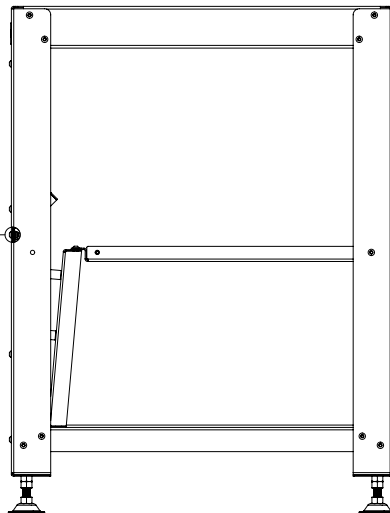
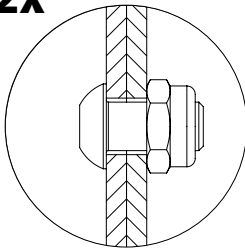
l	a	c
1x	2x	2x

Tools

-
-



2x



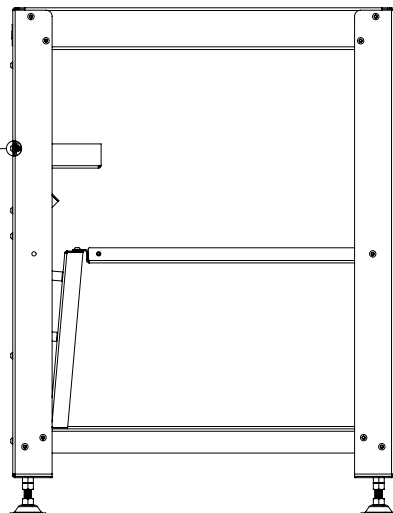
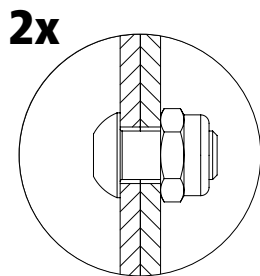
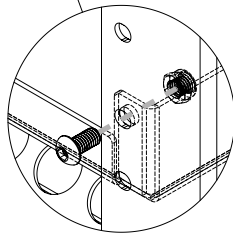
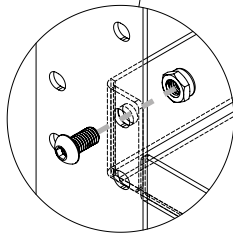
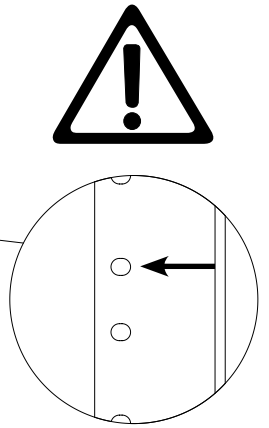
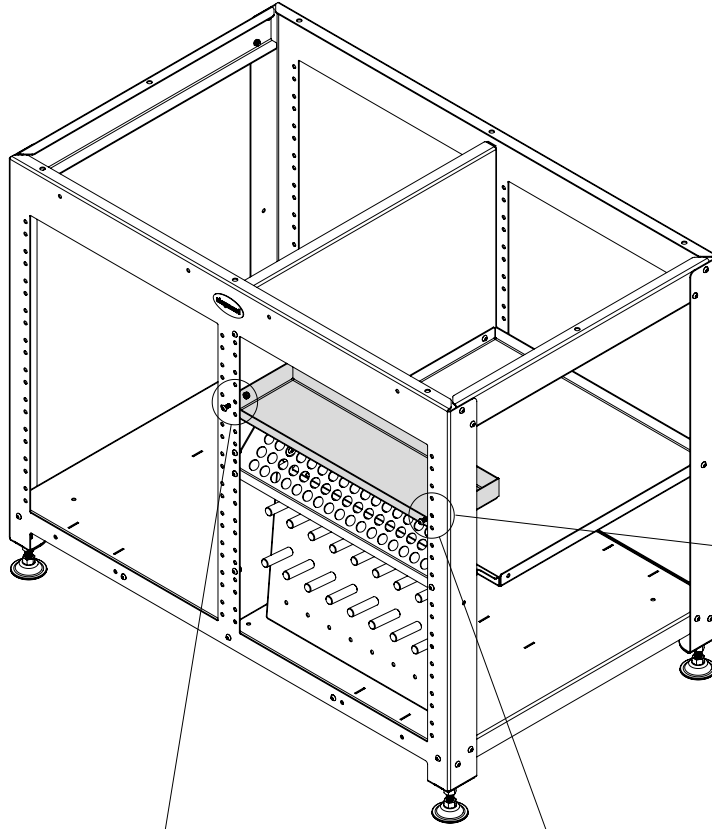
9.



J	a	c
1x	M6 2x	M6x12 2x

Tools

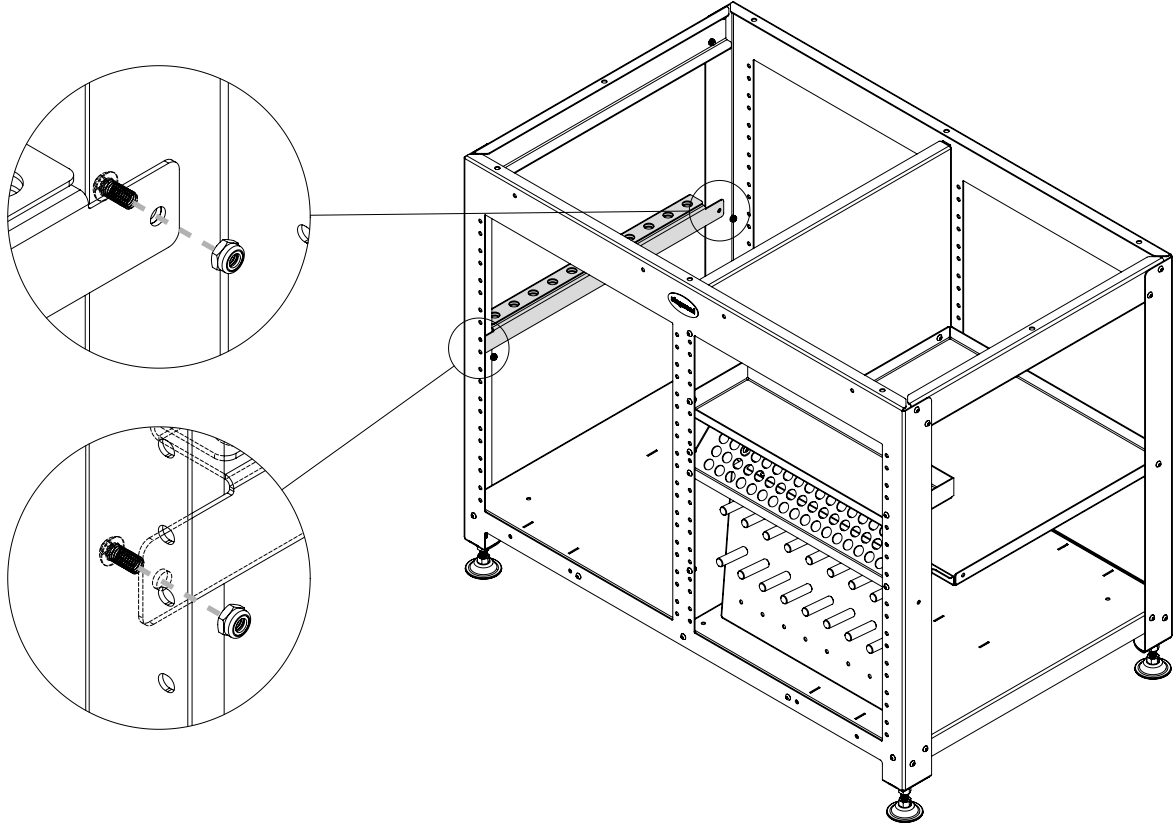
-
-



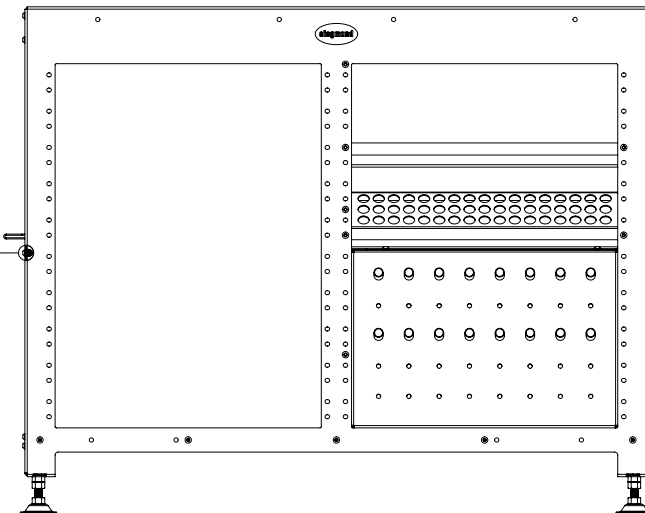
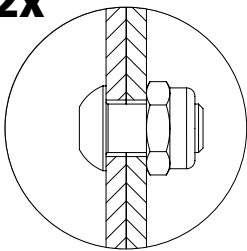
10.



K	a	c	Tools
	M6	M6x12	
1x	2x	2x	



2x



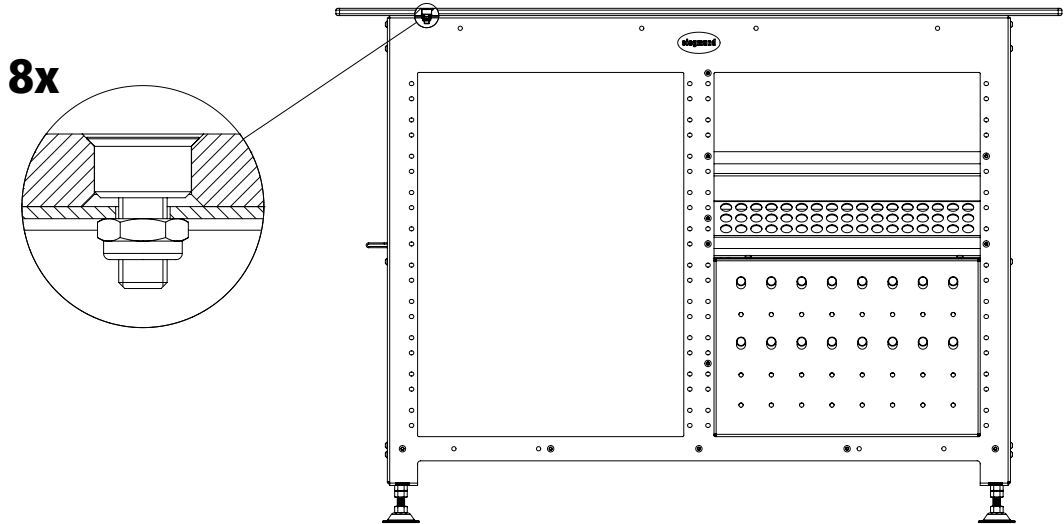
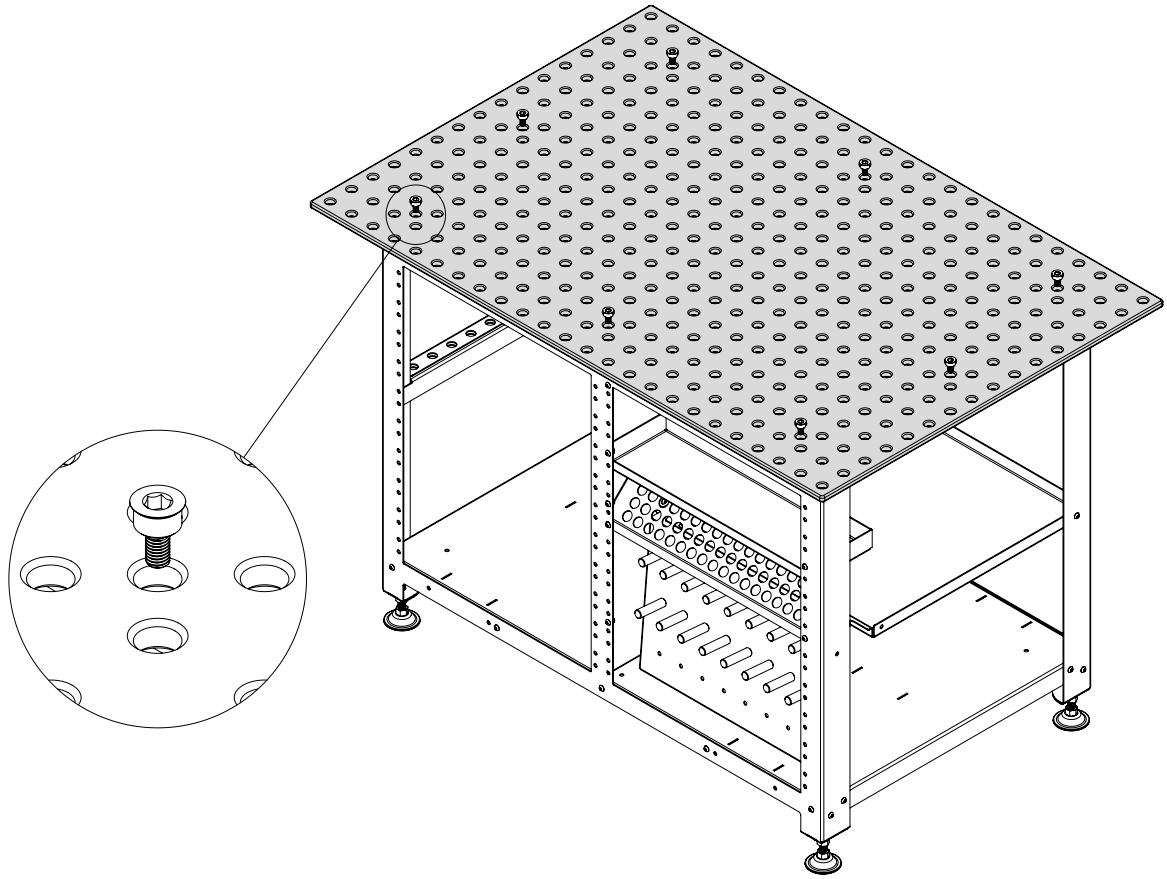
11.



L	M	b
1x	8x	8x

Tools

-
-



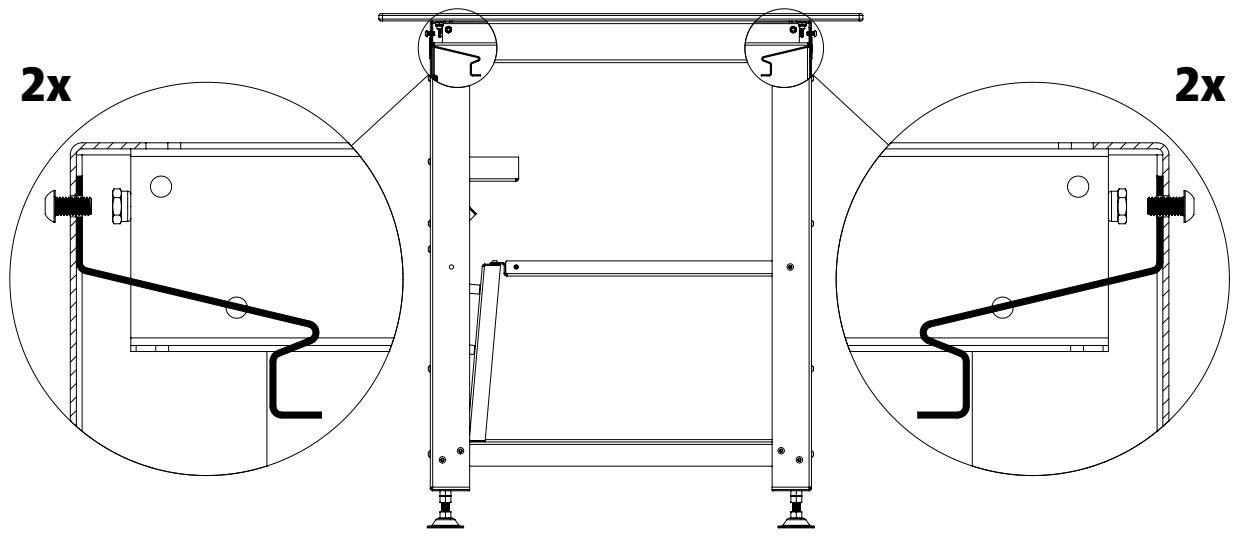
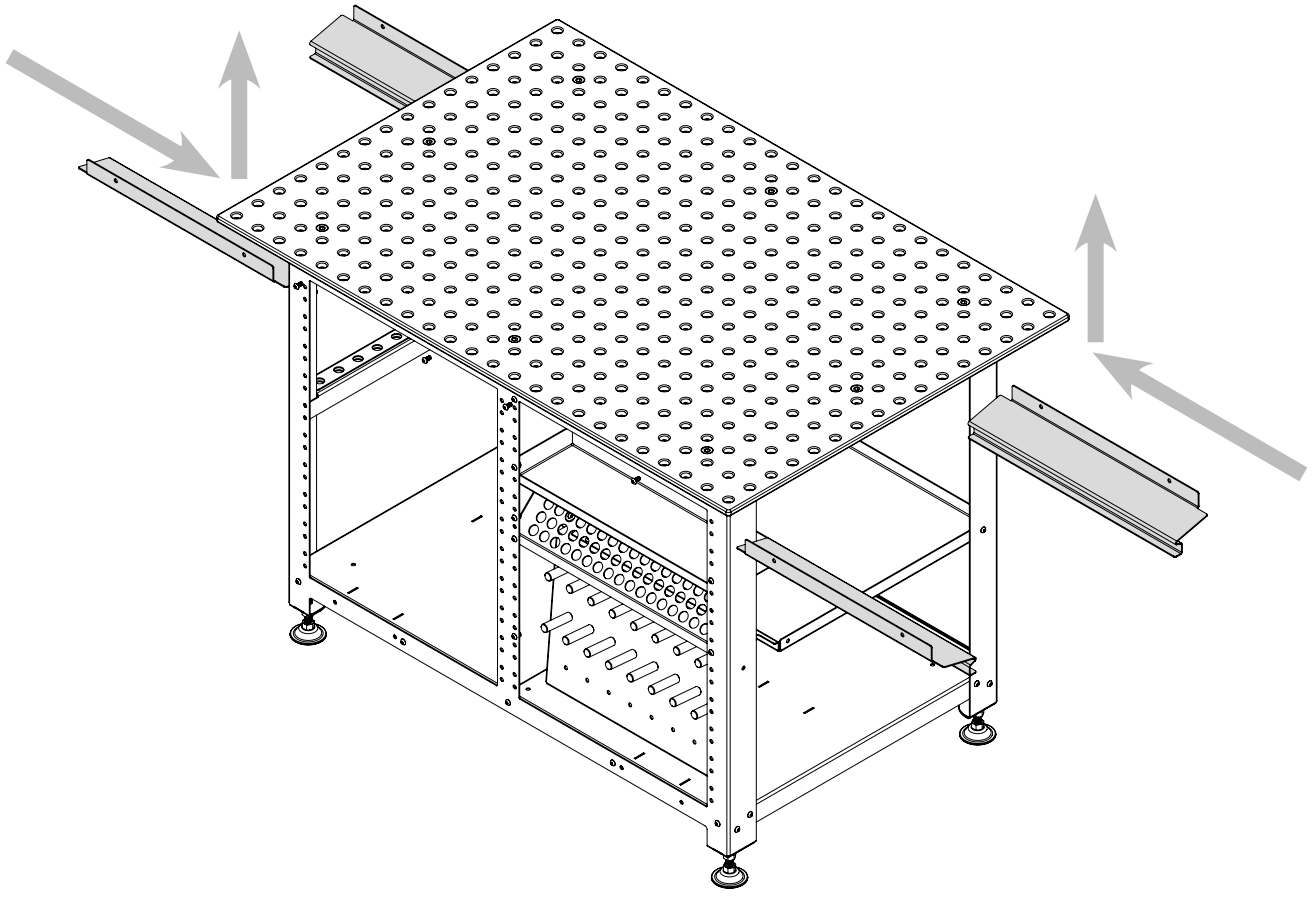
12.



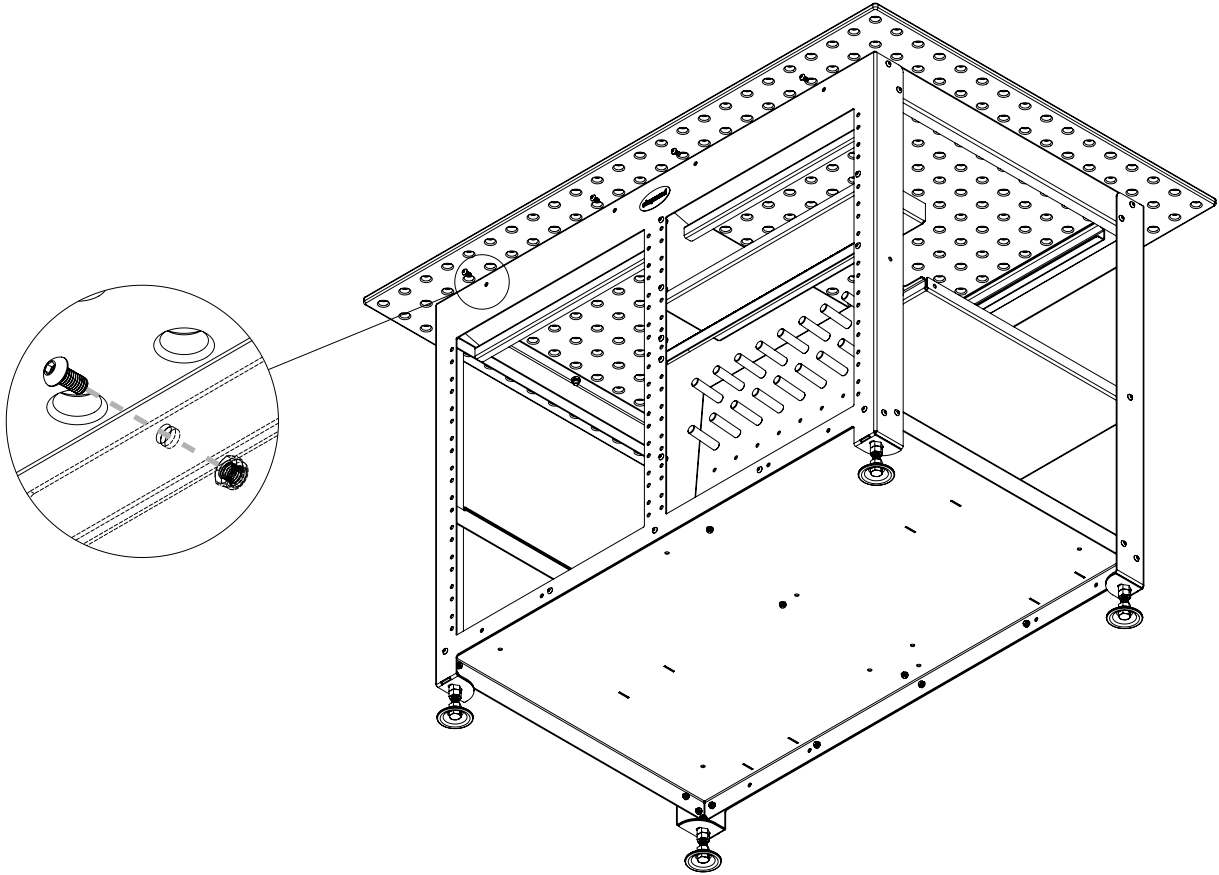
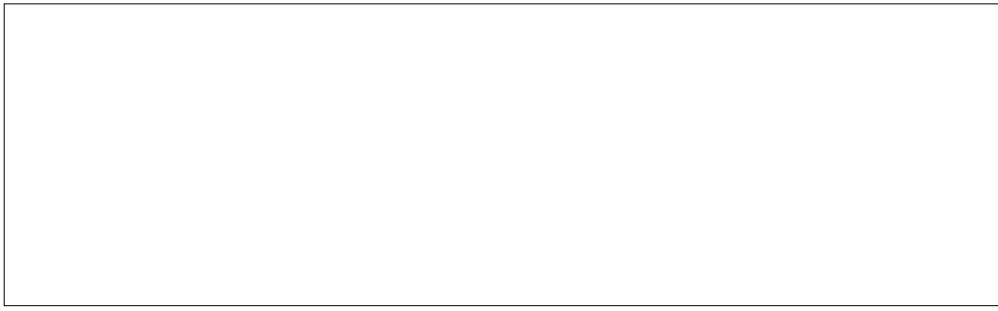
N	a	c
4x	8x	8x

Tools

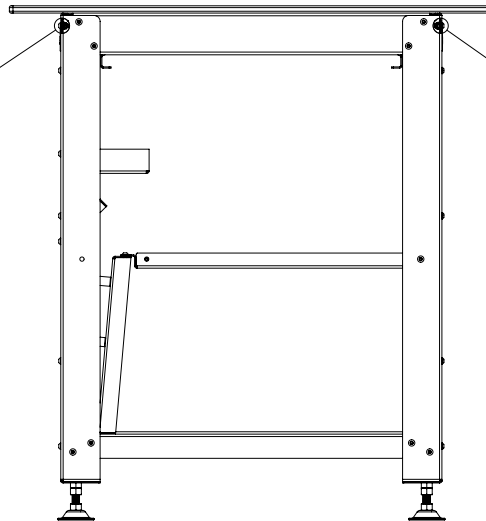
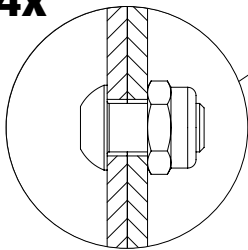
-
-



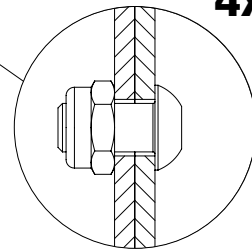
12.



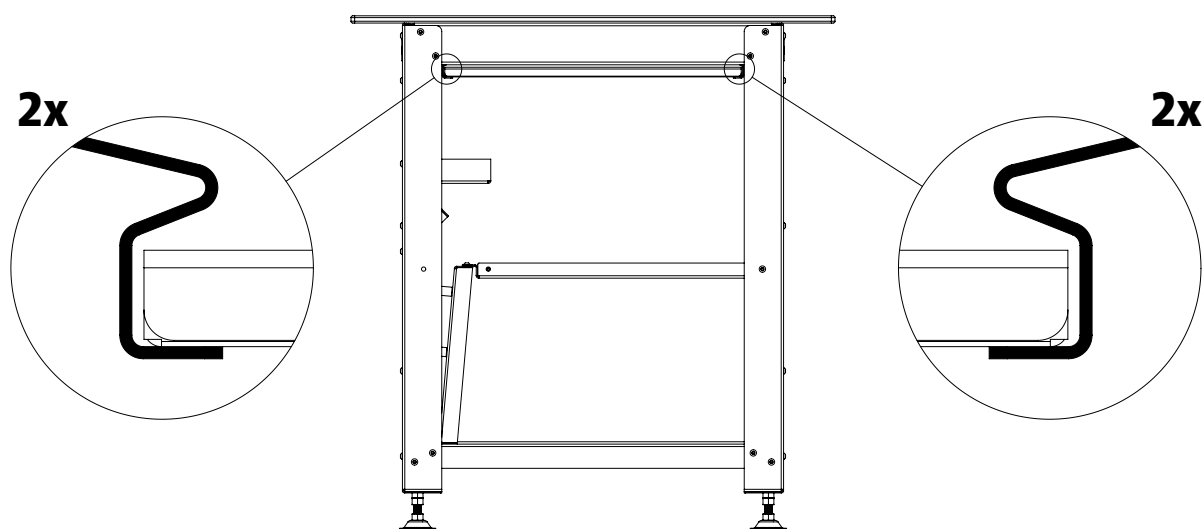
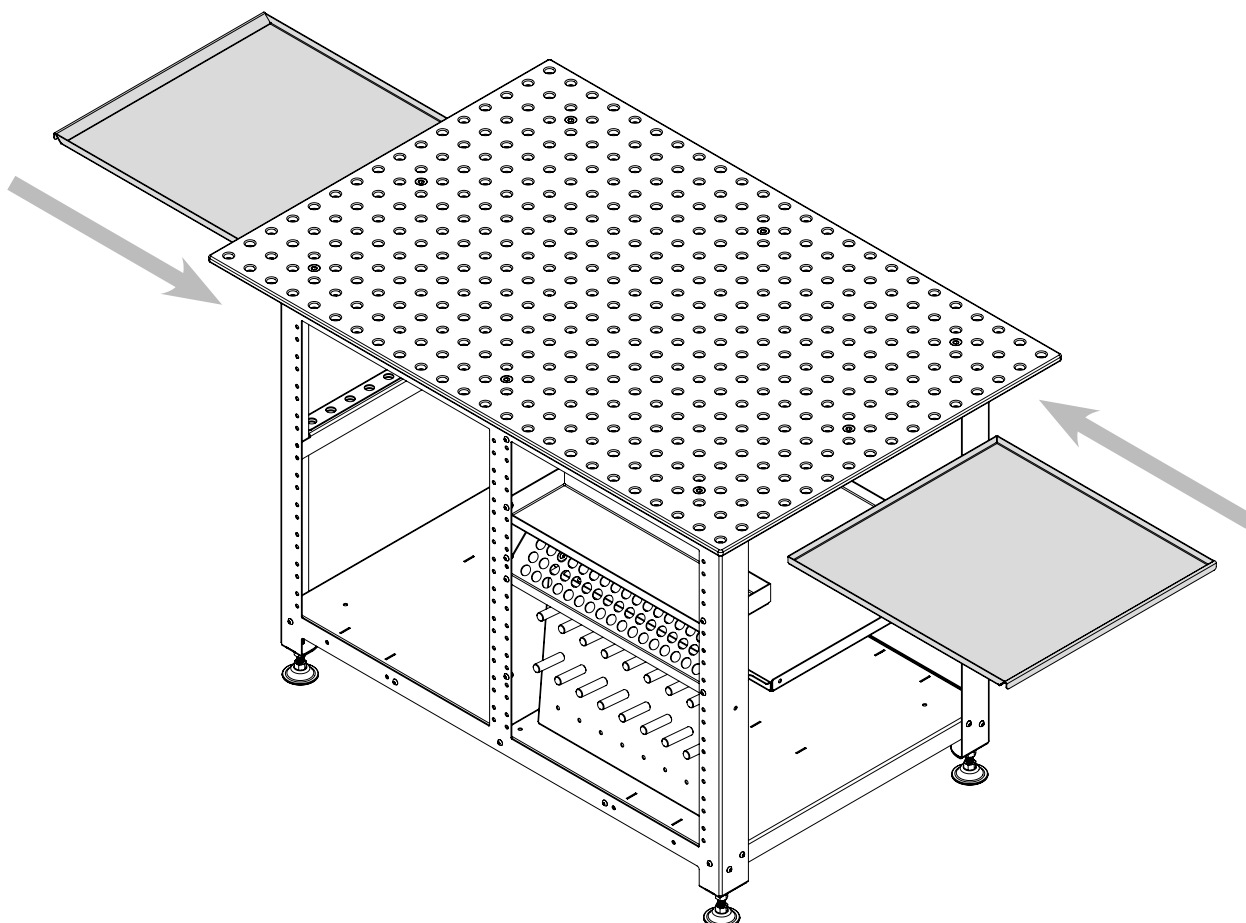
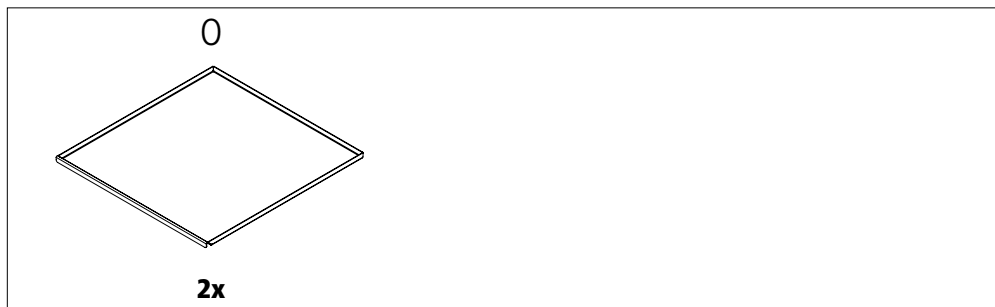
4x



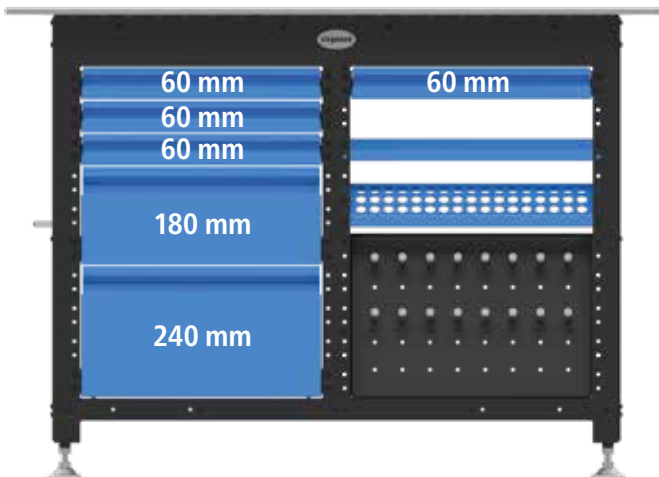
4x



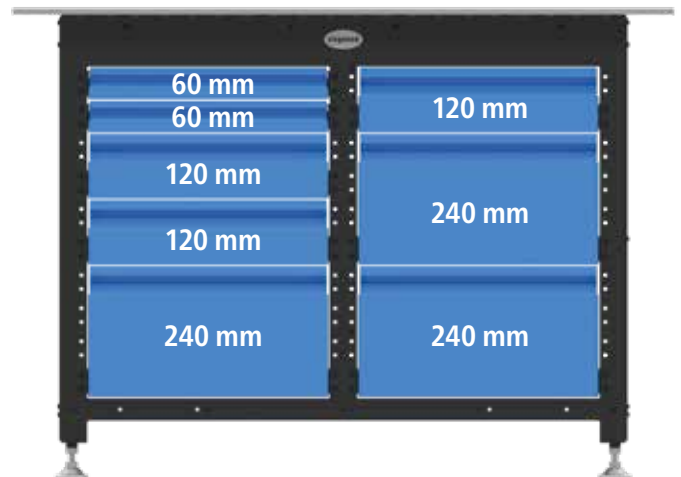
13.



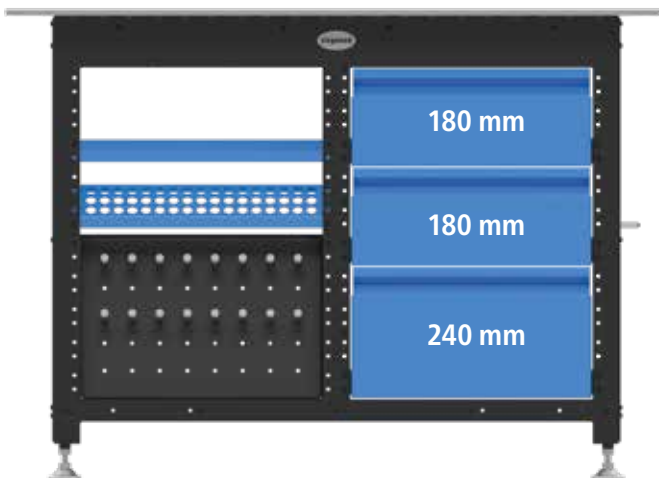
Examples:



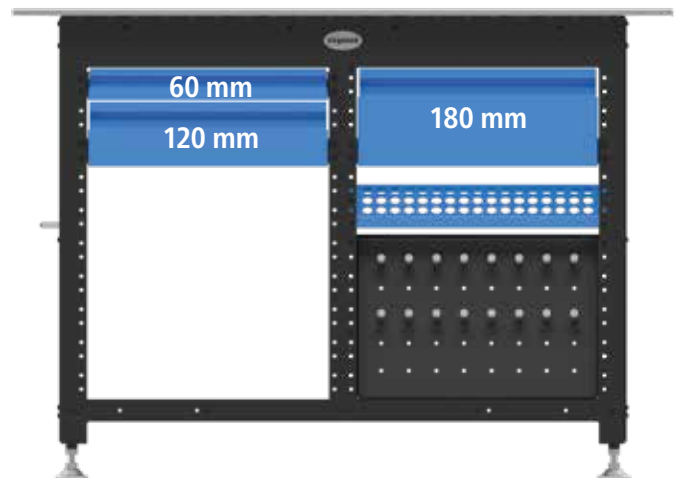
4x 004200
1x 004210
1x 004215



2x 004200
3x 004205
3x 004215



2x 004210
1x 004215



1x 004200
1x 004205
1x 004210

Bernd Siegmund GmbH

Landsberger Straße 180 | 86507 Oberottmarshausen | Germany (Bavaria) | Phone 0049 (0) 82 03 / 96 07 - 0 | Fax 0049 (0) 82 03 / 96 07 - 33
info@siegmund.com | www.siegmund.com

All prices are quoted ex works excl. VAT, packing, freight and duty. Technical changes and release are reserved.
Our General Business Terms apply. Subject to price changes and printing errors.

All texts, pictures and design elements are copyrighted by the Bernd Siegmund GmbH. No part of this flyer may be edited analogously or digital or in another mode,
may be multiplied or published out of the flyer without written approval of the legal owner. Offences are prosecuted.